

XA SERIES Weather Resistant Product

XA - 031D / 061D / 081D / 101D
Outdoor Active Infrared Sensor
30m | 60m | 80m | 100m

NIPPON ALEPH CORPORATION
1-28-52, Komaoko,
Tsurumi-Ku, Yokohama,
230-0071 Japan

Tel : 81-45-575-1132
Fax : 81-45-580-1676
Email : info@po.nippon-aleph.com.jp



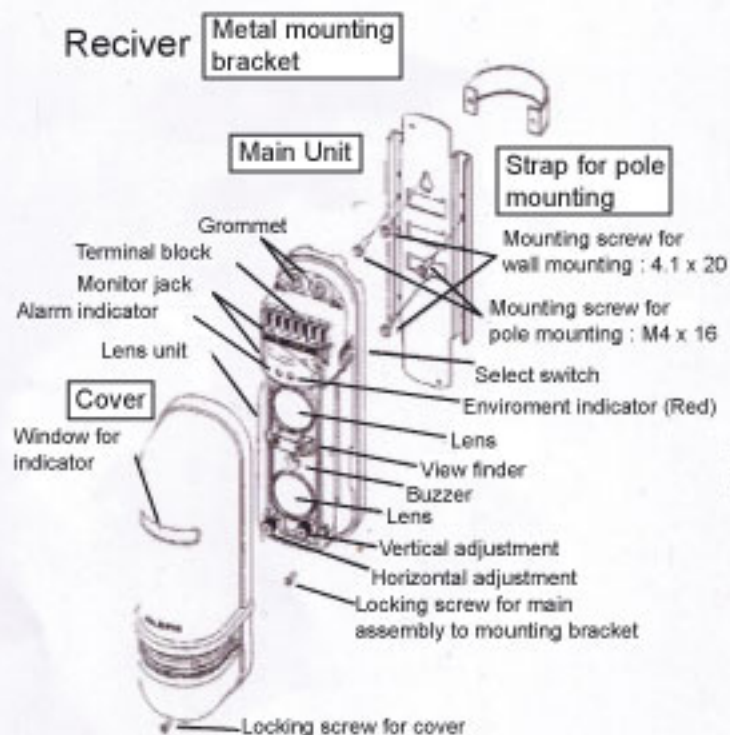
The Innovative Choice In Sensing Devices

Aleph provides more than 30 years of leading - edge technology in detective sensing devices. This advance technology earns Aleph the highest reputation in committing to deliver the most reliable security products in the industry.

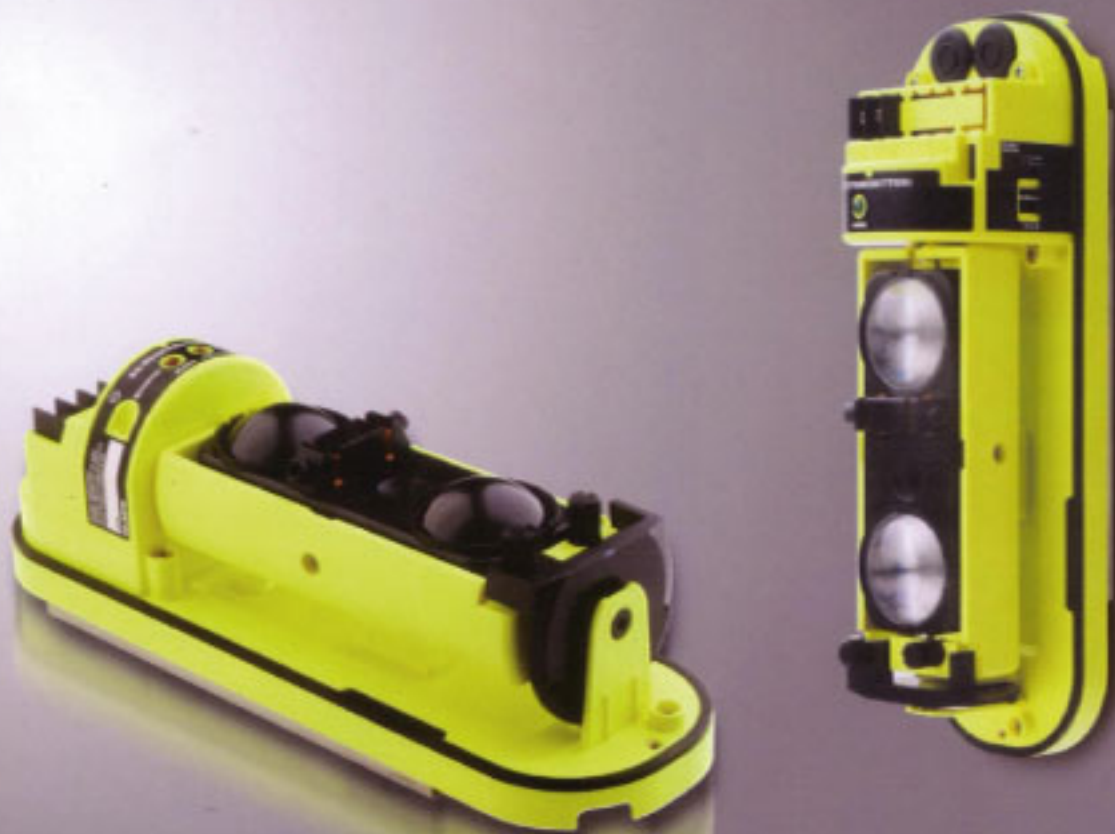
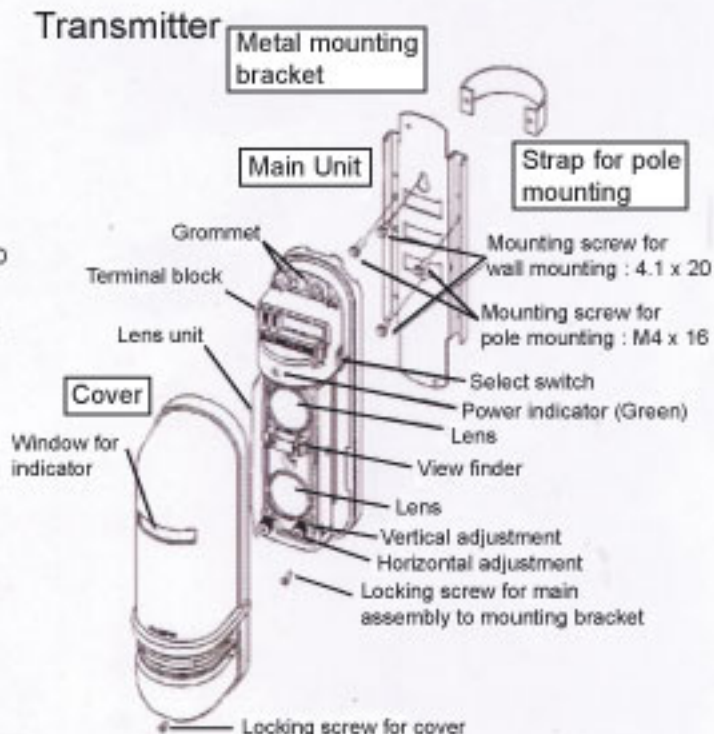


Parts Identification

Receiver



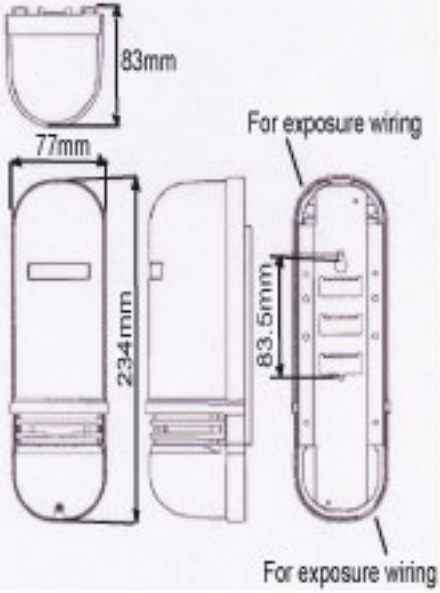
Transmitter



Outdoor Active Infrared Sensor



Specifications and Dimension



Select switch () setup at shipment

Transmitter

On 1 2 3

1,2 : Select Channel (1 ch.)
3 : LED ON / OFF (ON)

Receiver

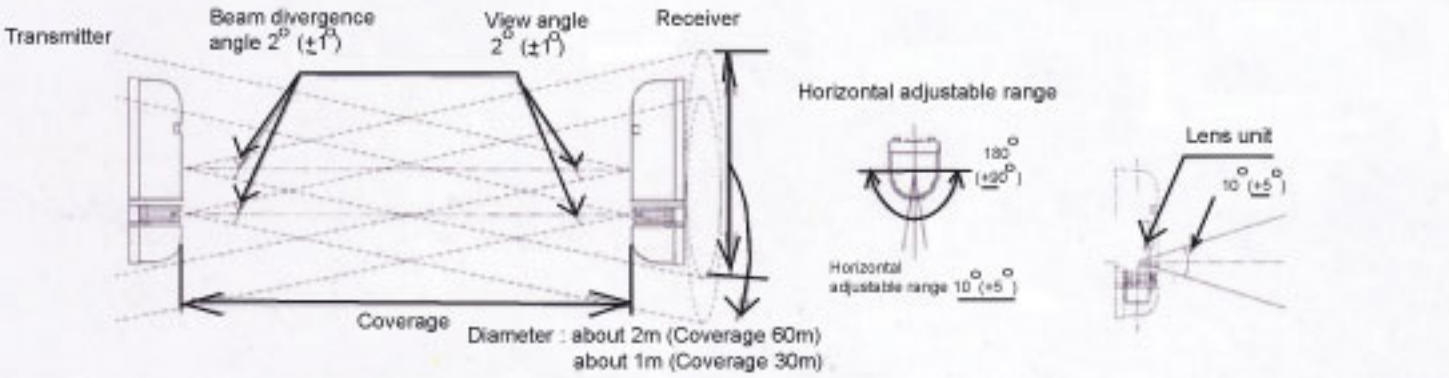
On 1 2 3 4 5 6 7

1,2 : Select Channel (1 ch.)
3 : ALM N.O / N.C (N.C)
4 : ALM LED, ENV LED ON / OFF (ON)
5 : Buzzer ON / OFF (ON)
6,7 : Interruption time for alarm (40msec)

640 - 20866

Items	Specifications	Remarks			
Product Name	Photoelectric Beam sensor				
Model	XA - 031D	XA - 061D	XA - 081D	XA - 101D	
Detection Method	Pulse code mark coincidence from of Infrared Beam				
Coverage	30 m	60 m	80 m	100 m	Outdoor
Max. Coverage	300 m	800 m	800 m	1000 m	
Adjustable Range	Vertical : $\pm 5^{\circ}$; Horizontal : $\pm 90^{\circ}$				A Transmitter & a Receiver
Interruption Period	40m sec / 100m sec / 400m sec / 700m sec				4 stage by DIP switch
Number of Channel	4 channel				Interference Prevention
Supply Voltage	DC10 - 28V				Concerned with polarities
Consumption Current	77mA max	85mA max			Supply Voltage 12V DC Transmitter + Receiver Total
Alarm output	Conditions	When beam is shaded. When power supply voltage falls.			
	Rating	DC30V 0.3A Photo MOS relay output Ia or Ib (Selectable by switch) Alarm duration : 2 seconds (Min)			Resistive Load Output from alarm terminal that located on the receiver
	Indicator	Red LED on (Alarm Condition)			Located on the receiver. Cannot display when power off ON / OFF by DIP switch
Optical Alignment	Voltage level	Insert the Voltmeter's probe into the monitor jack located on the Receiver, and adjust for the max. voltage			
	Alignment LED	Red LED indicator ON, Flash and OFF is changed by receiver level			Located on the receiver ON / OFF by DIP switch
	Buzzer alignment	Large sound, small and mute is changed by receiver level			ON / OFF by DIP switch
Tampor switch	Conditions	N.C. Opens when Receiver's cover is removed			Output from tampor terminal that located on the Receiver
	Rating	DC30V 0.3A Dry contact relay output			
Power Indicator	Green LED on when Transmitter is powered				Located on the transmitter ON / OFF by DIP switch
Incidental function	Automatic Gain Control (AGC) function Spare terminal block : 1 piece (Located on the receiver)				
Environment	Temperature : $-25 \sim +55^{\circ}\text{C}$ Humidity : Rh. 95% max.				
Dimensions	234 (H) x 77 (W) x 83 (D)		[mm]		Cover : black PC resin Main unit : yellow ABS resin
Weight	Transmitter : 520g		Receiver : 550g		Including a mounting bracket
Accessories	Pole mounting brackets, hook, screws, installation instructions				
Option article	Cover with heater, Pole Cover, Pole				

Specifications and Dimension





Outdoor Active Infrared Sensor XA - 031D / 061D / 081D / 101D

Features :

- | Compact and Unobtrusive Design.
- | Simple installation and Alignment : Quick line of sight alignment is accomplished with highly visible LED to ensure proper positioning of transmitter and receiver.
- | Using a superior transmitter intensity, even the most difficult applications are accomplished with ease and trouble-free operation.
- | Extra-wide transmitted beam assures stable operation.
- | Immunity to light sources : Double light filtering to eliminate random interference caused by sunlight and white-light sources.
- | Ultra Reliable Protection : These units are well suited to provide annunciation and early warning against all unauthorised intrusions.



JQA-EM1188



JQA-2259

